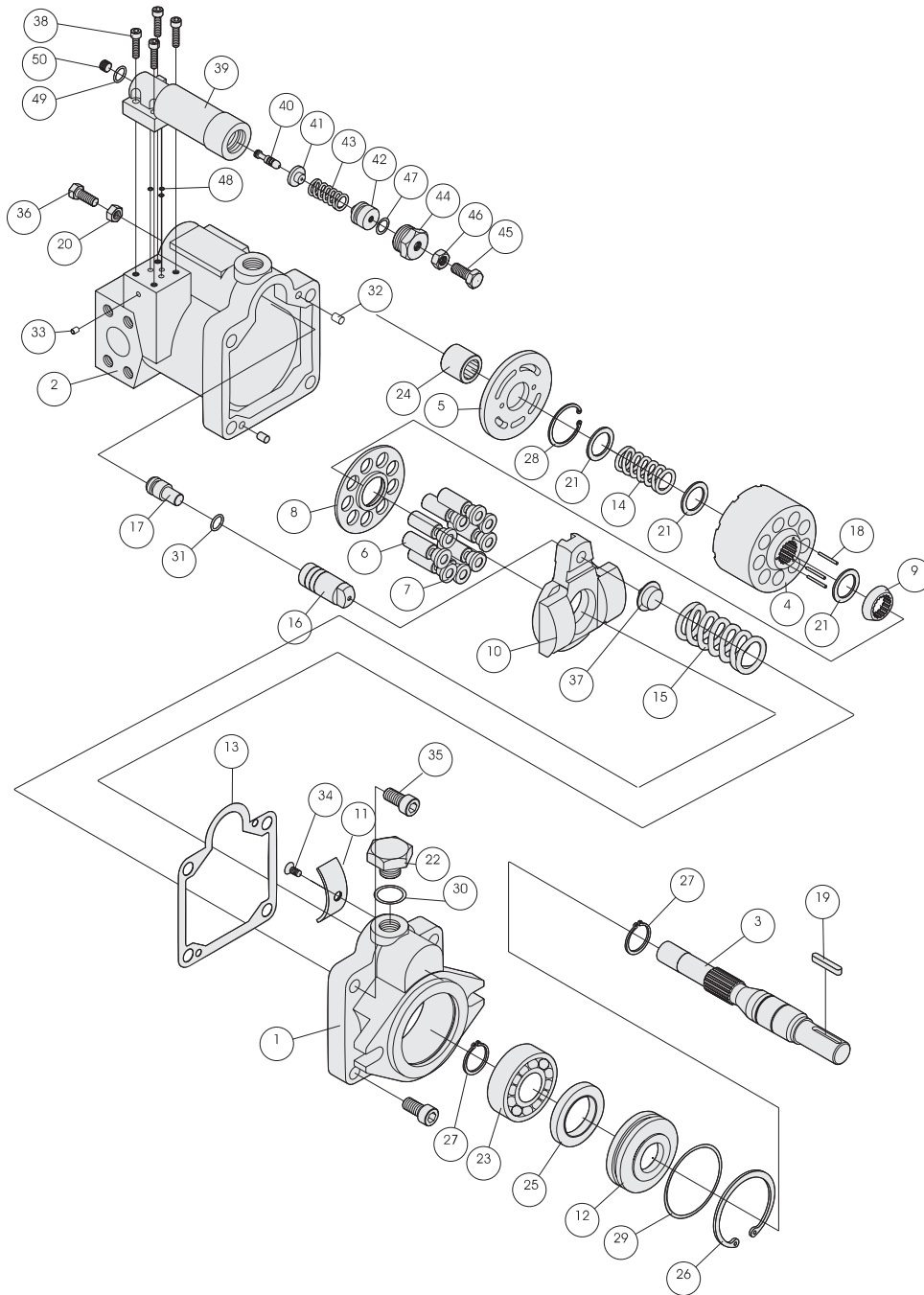


DECOMPOSITION CHART

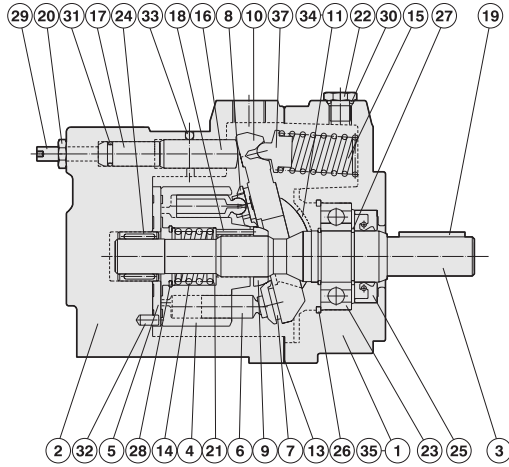
P08-TYPE



Part No.	Part Name	Part No.	Part Name	Part No.	Part Name	Part No.	Part Name	Part No.	Part Name
1	Body	11	Thrust bush	21	Retainer	31	O-ring	41	Holder
2	Case	12	Seal holder	22	Plug	32	Pin	42	Plunger
3	Shaft	13	Gasket	23	Ball bearing	33	Expander plug	43	Spring
4	Cylinder barrel	14	Spring	24	Needle bearing	34	Machine screw	44	Retainer
5	Valve plate	15	Spring	25	Oil seal	35	Machine screw	45	Pressure adj. screw
6	Piston	16	Control Piston	26	Snap ring	36	Flow adj. screw	46	Nut
7	Shoe	17	Guide	27	Snap ring	37	Spring Holder	47	O-ring
8	Shoe holder	18	Needle	28	Snap ring	38	Machine screw	48	O-ring
9	Barrel holder	19	Key	29	O-ring	39	Body	49	O-ring
10	Swash plate	20	Nut	30	O-ring	40	Spool	50	Plug

CROSS SECTION DRAWING

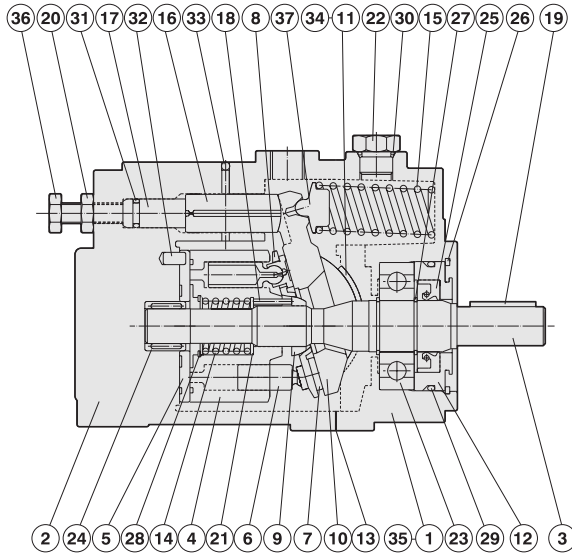
P08-TYPE



P08-TYPE

Part No.	Part Name	Size	Q"ty
13	Gasket	—	1
23	Ball Bearing	6205	1
24	Ball Bearing	TA 1720	1
25	Oil seal	TCN 25 45 11	1
30	Oil-ring	P11	1
31	Oil-ring	P9	1

P16/22/36/46-TYPE



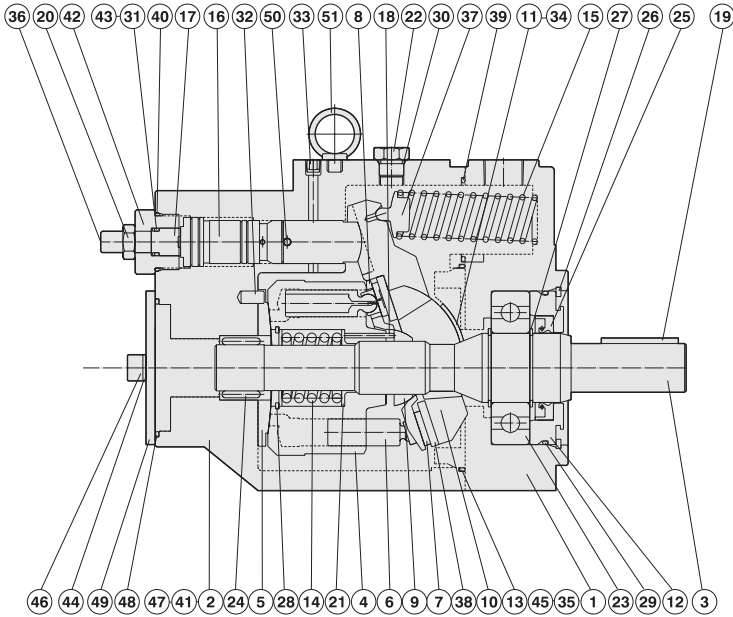
P16/22/36/46-TYPE

Part No.	Part Name	P16/22-TYPE	P36/46-TYPE	Q"ty
		Size	Size	
13	Gasket	—	—	1
23	Ball bearing	6305	6306	1
24	Needle Bearing	TA 1720	TA 2025	1
25	Oil seal	TCN 25 45 11	TCN 30 50 11	1
29	Oil-ring	G58	G70	1
30	Oil-ring	P14	P14	1
31	Oil-ring	P10A	P14	1

Part No.	Part Name	Part No.	Part Name	Part No.	Part Name	Part No.	Part Name	Part No.	Part Name
1	Bady	9	Barrel holder	17	Guide	25	Oil seal	33	Expander plug
2	Case	10	Swash plate	18	Needle	26	Snap ring	34	Machine screw
3	Shaft	11	Thrust bush	19	Key	27	Snap ring	35	Machine screw
4	Cylinder barrel	12	Seal holder	20	Nut	28	Snap ring	36	Flow adj. screw
5	Valve plate	13	Gasket	21	Retainer	29	O-ring	37	Spring Holder
6	Piston	14	Spring	22	Plug	30	O-ring		
7	Shoe	15	Spring	23	Ball bearing	31	O-ring		
8	Shoe holder	16	Control Piston	24	Needle bearing	32	Pin		

CROSS SECTION DRAWING

P70/100-TYPE

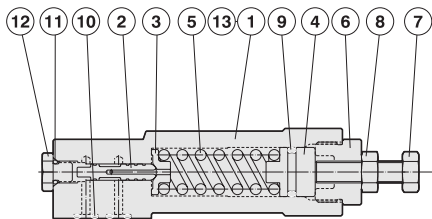


P70/100-TYPE

Part No.	Part Name	P16/22-TYPE	P36/46-TYPE	Q"ty
		Size	Size	
13	Oil-ring	G130	G155	1
23	Ball bearing	6309	6310	1
24	Needle bearing	RNA 6905	TR 35 48 30	1
25	Oil seal	TCN 45 68 12	TCN 50 72 12	1
29	Oil-ring	G95	G105	1
30	Oil-ring	P14	P14	1
31	Oil-ring	P14	P16	1
39	Oil-ring	G50	G50	1
40	Oil-ring	P34	P36	1
41	Oil-ring	P9	P9	1
48	Oil-ring	G85	G85	1

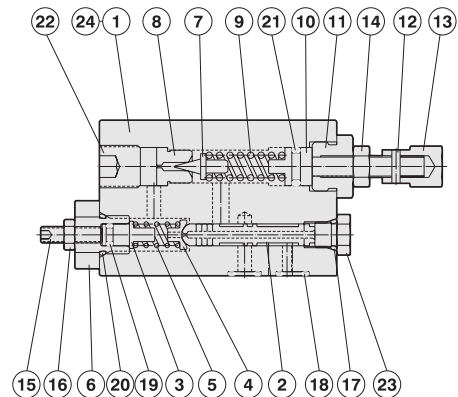
PRESSURE COMPENSATOR CROSS SECTION DRAWING

P08/16/22/36/46-A-TYPE



Part No.	Part Name	Size	Q"ty
9	Oil-ring	P14	1
10	Oil-ring	P6	3
11	Oil-ring	P6	1

P70/100-A-TYPE



Part No.	Part Name	Size	Q"ty
17	Oil-ring	P8	1
18	Oil-ring	P9	3
19	Oil-ring	P5	1
20	Oil-ring	P12	1
21	Oil-ring	P10A	1